

PLANT SCHEDULE

TREES	CODE	QTY	BOTANICAL / COMMON NAME	CONT.	HEIGHT/SPREAD	CAL.	WUCOLS
	AA	6	ACER RUBRUM 'ARMSTRONG' / ARMSTRONG RED MAPLE	15 GAL.	7'-8' HT. X 2'-3' SPR.	1" CAL.	MODERATE
	LN	1	LAURUS NOBILIS / SWEET BAY	15 GAL.	6'-8' HT. X 2'-3' SPR.	1" CAL.	MODERATE
	OM	10	OLEA EUROPAEA 'MONHER' TM / MAJESTIC BEAUTY FRUITLESS OLIVE	24" BOX	5'-6' HT. X 4'-5' SPR.	2" CAL.	LOW
	UT	16	ULMUS PARVIFOLIA 'TRUE GREEN' / TRUE GREEN LACEBARK ELM	24" BOX	9'-11' HT. - 3'-4' SPR.	2" CAL.	MODERATE
SHRUBS	CODE	QTY	BOTANICAL / COMMON NAME	CONT.	SPACING	WUCOLS	SIZE
	CAK	30	CALAMAGROSTIS X ACUTIFLORA 'KARL FOERSTER' / KARL FOERSTER FEATHER REED GRASS	1 GAL.	48" O.C.	LOW	
	CVL	43	CALLISTEMON VIMINALIS 'LITTLE JOHN' / LITTLE JOHN WEEPING BOTTLEBRUSH	5 GAL.	48" O.C.	LOW	
	DIB	38	DIETES BICOLOR / FORTNIGHT LILY	1 GAL.	36" O.C.	LOW	
	EJJ	41	EUONYMUS JAPONICUS 'GREEN SPIRE' / GREEN SPIRE EUONYMUS	5 GAL.	48" O.C.	LOW	
	LCR	18	LOROPETALUM CHINENSE RUBRUM 'PURPLE MAJESTY' / PURPLE MAJESTY FRINGE FLOWER	5 GAL.	48" O.C.	MODERATE	
	MCL	18	MUHLENBERGIA CAPILLARIS 'LENCA' TM / REGAL MIST PINK MUHLY GRASS	1 GAL.	48" O.C.	LOW	
	PIM	19	PINUS MUGO / DWARF MUGO PINE	5 GAL.	36" O.C.	LOW	
	RUS	46	RHAPHIOLEPIS UMBELLATA 'SOUTHERN MOON' / SOUTHERN MOON YEDDA HAWTHORN	5 GAL.	48" O.C.	LOW	
	SAC	20	SALVIA CHAMAEDRYOIDES / MEXICAN BLUE SAGE	1 GAL.	48" O.C.	LOW	
GROUND COVERS	CODE	QTY	BOTANICAL / COMMON NAME	CONT.	SPACING	WUCOLS	
	AEC	46	ARCTOSTAPHYLOS X 'EMERALD CARPET' / EMERALD CARPET MANZANITA	1 GAL.	3" O.C.	LOW	
	CPS	37	CISTUS X PULVERULENTUS 'SUNSET' / SUNSET ROCKROSE	1 GAL.	3" O.C.	LOW	
	DRL	25	DIANELLA REVOLUTA 'LITTLE REV' / LITTLE REV FLAX LILY	1 GAL.	2" O.C.	LOW	
	HYC	38	HYPERICUM CALYGINUM / CREEPING ST. JOHN'S WORT	1 GAL.	2" O.C.	MODERATE	
	LLB	142	LOMANDRA LONGIFOLIA 'BREEZE' TM / BREEZE MAT RUSH	1 GAL.	2.5" O.C.	LOW	
	TCP	32	TEUCRIUM CHAMAEDRYIS 'PROSTRATUM' / PROSTRATE GERMANDER	1 GAL.	3" O.C.	LOW	
SOD	CODE	QTY	BOTANICAL / COMMON NAME	CONT.	SPACING	WUCOLS	
	TH	1,688 SF	NATIVE MOW FREE FESCUE BLEND	SOD			

ROOT CONTROL BARRIER NOTE: ALL TREES WITHIN 10' OF HARDSCAPE ARE TO RECEIVE ROOT CONTROL BARRIER. SEE DETAIL D, SHEET L1.2.

SHADE STUDY CALCULATIONS		
Overall Site	Quantity	Area (SF)
Standard Stalls	47	6,785
Compact Stalls	1	125
Handicap Stalls	2	363
Total Paved Parking Area		7,273
Total Shade Required	50%	3,637
Total Shade Provided		4,559
Total Shade Percentage		63%

Plotted By: Alvarez, Ryan Sheet: Set: KHA Layout: L1.1 LANDSCAPE PLAN January 25, 2022 07:36:22pm
 This document, together with the concepts and designs presented herein, is intended only for the specific purpose and client for which it was prepared. Review of said information and/or reliance on this document without written authorization and/or signature of Kimley-Horn and Associates, Inc. shall be without liability to Kimley-Horn and Associates, Inc. Call 811 before you dig.



No.	REVISIONS	DATE	BY

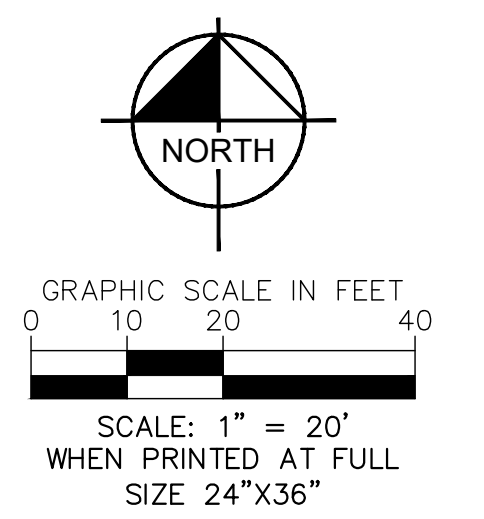
Kimley»Horn
 © 2022 KIMLEY-HORN AND ASSOCIATES, INC.
 1100 W TOWN AND COUNTRY ROAD, SUITE 700,
 ORANGE, CA 92668
 PHONE: 714-939-1030 FAX: 714-938-9488
 WWW.KIMLEY-HORN.COM

KHA PROJECT	194378001
DATE	1/25/22
SCALE	AS SHOWN
DESIGNED BY	LD
DRAWN BY	LD
CHECKED BY	CF

GODDARD SCHOOL
 2801 OAK MEADOW DR
 PLAZA AT BLUE OAKS
 ROSEVILLE CA

LICENSED PROFESSIONAL

CITY OF ROSEVILLE
 DEPT. OF DEVELOPMENT SERVICES
 ACCEPTED BY: _____
 CIVIL ENGINEER DATE _____



LANDSCAPE PLAN
 SHEET NUMBER **L1.1**